

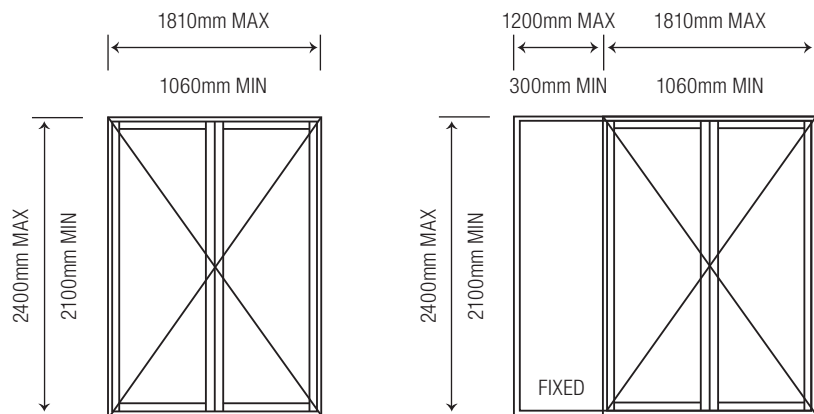
Hinged Doors

STANDARD SIZES

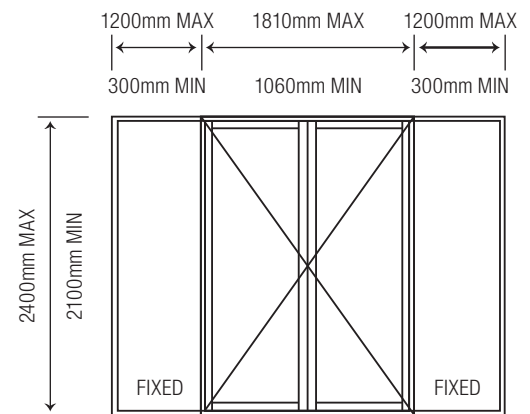
Region B:

N2	Wind Classification
400Pa	Serviceability
1000Pa	Ultimate Strength
150Pa	Water Penetration

Availability of standard sizes subject to wind load and water penetration requirements



Region C: Design wind pressure is calculated to 'AS/NZS 1170.2 Structural design actions – Wind action'



Hinged Door Information

- Available in 100mm or 125mm frame (please check availability)
- Single door options available upon application
- All doors to be supplied with sills
- Hi lites are available subject to confirmation of structural performance
- Operating sashes are available as Side Lites if required
- Maximum leaf size 870mm

Note: Hinged Doors may be subject to local variation or regulatory requirements